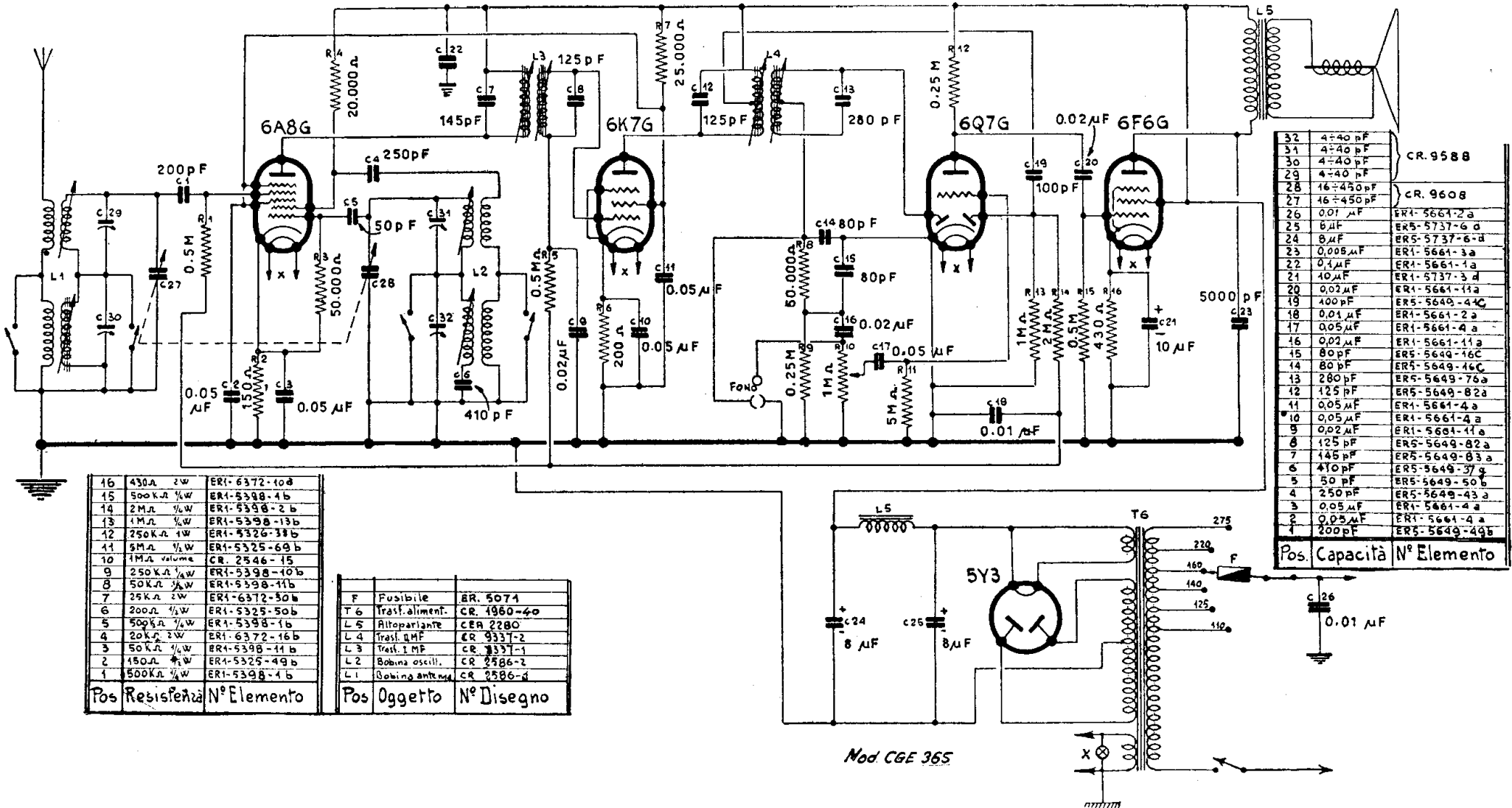


[48]



16	430 Ω	2W	ER1-6372-10d
15	500 kΩ	1/4W	ER1-5398-4b
14	2 MΩ	1/4W	ER1-5398-2b
13	1 MΩ	1/4W	ER1-5398-13b
12	250 kΩ	1W	ER1-5326-38b
11	5 MΩ	1/4W	ER1-5325-69b
10	1 MΩ	variable	CR-2546-15
9	250 kΩ	1/4W	ER1-5398-10b
8	50 kΩ	1/4W	ER1-5398-11b
7	25 kΩ	2W	ER1-6372-50b
6	200 Ω	1/4W	ER1-5325-50b
5	500 Ω	1/4W	ER1-5398-16b
4	20 kΩ	2W	ER1-6372-16b
3	50 kΩ	1/4W	ER1-5398-11b
2	150 Ω	1/4W	ER1-5325-49b
1	500 kΩ	1/4W	ER1-5398-4b
Pos	Resistenza	N° Elemento	

F	Fusibile	ER-5074
T6	Trasf. aliment.	CR-1960-40
L5	Altoparlante	CEA 2280
L4	Trasf. DMF	CR 9337-2
L3	Trasf. IMF	CR 9337-1
L2	Bobina oscil.	CR 2586-2
L1	Bobina antenna	CR 2586-4
Pos	Oggetto	N° Disegno

32	4-40 pF	
31	4-40 pF	CR. 9588
30	4-40 pF	
29	4-40 pF	
28	16-450 pF	CR. 9608
27	16-450 pF	
26	0.01 μF	ER1-5661-2a
25	8 μF	ER5-5737-6-d
24	8 μF	ER5-5737-6-d
23	0.005 μF	ER1-5661-3a
22	0.1 μF	ER1-5661-4a
21	10 μF	ER1-5737-3-d
20	0.02 μF	ER1-5661-11a
19	100 pF	ER5-5649-44c
18	0.01 μF	ER1-5661-2a
17	0.05 μF	ER1-5661-4a
16	0.02 μF	ER1-5661-11a
15	80 pF	ER5-5649-16c
14	80 pF	ER5-5649-16c
13	280 pF	ER5-5649-76a
12	125 pF	ER5-5649-82a
11	0.05 μF	ER1-5661-4a
10	0.05 μF	ER1-5661-4a
9	0.02 μF	ER1-5661-11a
8	125 pF	ER5-5649-82a
7	145 pF	ER5-5649-83a
6	410 pF	ER5-5649-37g
5	50 pF	ER5-5649-50b
4	250 pF	ER5-5649-43a
3	0.05 μF	ER1-5661-4a
2	0.05 μF	ER1-5661-4a
1	200 pF	ER5-5649-49b
Pos.	Capacità	N° Elemento

Mod. CCE 365

COMPAGNIA GENERALE DI ELETTRICITÀ - Mod. 365 - Gamma onde medie intera e gamma onde corte, con bobina in serie. Media frequenza 468 kc/s. (Le tabelle indicano il n. di catalogo dei componenti). Potenza d'uscita 4 W. Consumo 60 W.